

WIKING

REFLECTION HARMONY RELAXATION





WIKING Volcanic 2 with soapstone

Environmental awareness

Burning wood is a carbon neutral heating source and considered an alternative source of energy.

A WIKING combustion chamber is developed with a focus on high efficiency and insulated with vermiculite, a mineral with excellent insulation capability. A high temperature in the combustion chamber ensures the cleanest combustion, and high efficiency ensures that you get as much heat as possible out of your firewood.

Read about correct stoking on page 8.

The Swan label

All WIKING wood-burning stoves are tested at recognised laboratories and have obtained a number of approvals which meet the environmental requirements of the future.

Most WIKING wood-burning stoves feature the Nordic Swan label. To qualify for this environmental label, the wood-burning stoves must utilise the firewood very efficiently and comply with stringent emission limits for clean combustion.



NEWS FROM WIKING

WIKING has focussed on renewal and high quality in 2010. WIKING Volcanic 1 and 2, and the insert WIKING Optic are the result of this effort. They all have the same new and strong advantages:

Cast iron and sheet iron

Essentially, a WIKING stove is a convection stove made of sheet iron. The advantage of a convection stove is that it heats up and distributes the air quickly in the room. The new WIKING series has an extra solid top plate and a robust cast iron door. This ensures outstanding stability during use and combines the smooth sheet iron with the somewhat more rustic cast iron.

One Touch Closing System

The solid cast iron door is closed with the smart "One Touch Closing System". Push the door lightly, and it will close safely and comfortably.

Regulation lever

The lever on the cast iron door meets the regulation lever for the damper below the door. This makes for easy operation and creates a stylish look. Only one lever controls primary, secondary and tertiary combustion air. Window rinse air ensures that the large glass window is nice and clean.

Combustion air system

A combustion air system can be connected to the new WIKING series, either at the bottom or at the rear of the stove.

The combustion air system is particularly suitable for new and well-insulated homes. The stove automatically sucks in fresh air from the outside and uses this air during combustion, leaving combustion independent of the air in the room.

Storage room

WIKING Volcanic 2 features a practical storage room under the combustion chamber. Press lightly on the door, and the storage room will open.

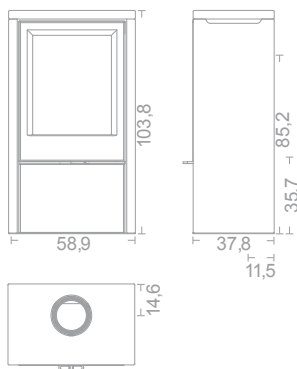


WIKING Volcanic 1 on a plinth

Soapstone – more than just decoration.

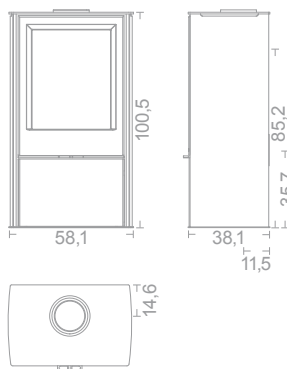
Soapstone is a mixed-grey natural stone found in only few places around the world. Its natural patterns and changing play of colours make it a decorative and exclusive cladding for wood-burning stoves.

Soapstone is also quite effective at absorbing and maintaining heat from the stove, as it gives off warmth long after the fire has gone out.



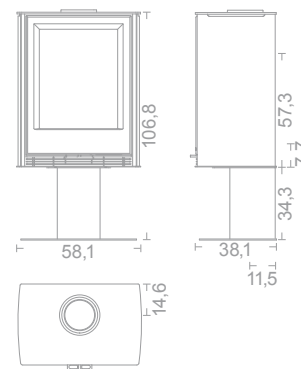
WIKING Volcanic 2
with soapstone

New



WIKING Volcanic 2

New



WIKING Volcanic 1
on a plinth

New



TECHNICAL SPECIFICATIONS

Heating:	40 – 170 m ²
Nominal effect:	6 kW
Capacity:	4 – 9 kW
Efficiency (gross/net) (Volcanic):	74/82%
Efficiency (gross/net) (Optic):	76/84%
Combustion chamber width:	37 cm
Smoke outlet top/back:	Ø 150 mm
Chimney draft, min.:	12 Pa

WEIGHT

WIKING Volcanic 1, wall-mounted:	99 kg
WIKING Volcanic 1 on a plinth:	114 kg
WIKING Volcanic 2:	117 kg
WIKING Volcanic 2 with soapstone:	204 kg
WIKING Optic:	102 kg

OPTIONS

Smoke outlet: top or back

Colour: black or grey

Combustion air system

APPROVALS

EN 13240 (Volcanic), EN 13229 (Optic) (Europe)

NS 3058/3059 (Norway)

Nordic Ecolabel

Art.15a (Austria), LRV (Switzerland)

CONNECTION FROM FLOOR, TOP OUTLET

WIKING Volcanic 1, wall-mounted ¹ :	70,9 cm
WIKING Volcanic 1 on a plinth:	105,2 cm
WIKING Volcanic 2:	98,5 cm
WIKING Optic:	70,4 cm

1. From lower edge of the stove.

WIKING VOLCANIC

DISTANCE TO COMBUSTIBLE MATERIAL

Behind/side:	10/20 cm
Above combustible floor ² :	28 cm
Distance to furnishings in front:	80 cm
At the corner location:	10 cm

2. Applies only to WIKING Volcanic 1.

WIKING OPTIC

STRUCTURAL OPENING SIZE³:

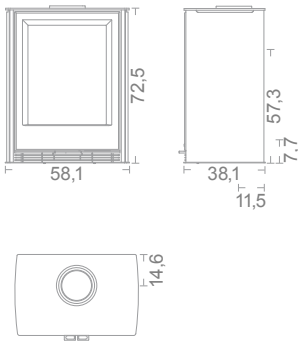
Height/width/depth:	76,5/57,4/37,3 cm
---------------------	-------------------

3. Applies only when non combustible material.

WIKING OPTIC

DISTANCE TO COMBUSTIBLE MATERIAL

Insulation behind/side/beneath:	5 cm
Insulation above:	14 cm
Distance to furnishings in front:	80 cm
Distance to combustible floor:	30 cm

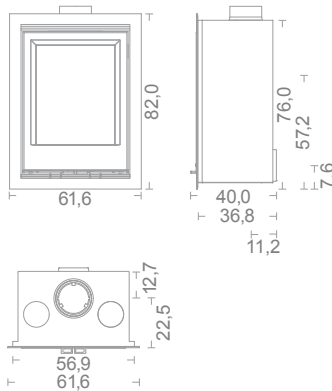


WIKING Volcanic 1 wall-mounted

WIKING Volcanic 1

wall-mounted

New



WIKING Optic

insert

New



NEW - WIKING Optic

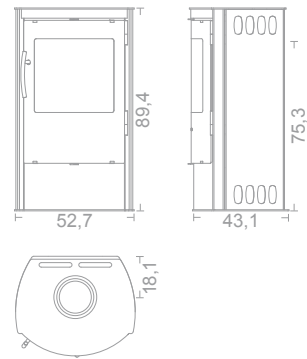
The new WIKING insert offers a great opportunity to enjoy the dancing flames on the wall thanks to its wide combustion chamber and the large glass window.

The robust cast iron door is opened by means of a simple stylish lever below the door. A light push on the door will cause it to close again.

A 5-cm wide frame adds the finishing touch to this convection stove.



WIKING Nordic 7



WIKING Nordic 9G
New

WIKING Nordic

WHENEVER SIMPLICITY AND ELEGANCY IS REQUIRED
WIKING Nordic's simple and round shapes harmonize perfectly – down to the smallest detail.

The glass-blown, steel handle is shaped in the same curve as that of the front of the wood-burning stove. The large curved glass makes it possible to enjoy the flames from every corner of the room.

Its round shape makes situating the WIKING Nordic flexible, and it is well-suited to both corners and straight walls. Its elegant design can be completed with a full soapstone cladding, or simply covered with a top plate made of either soapstone or coloured tile.

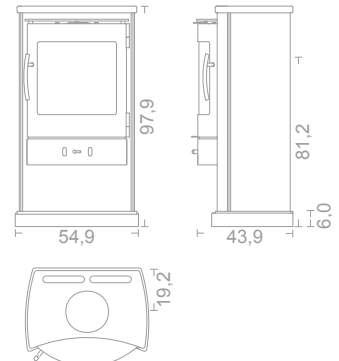
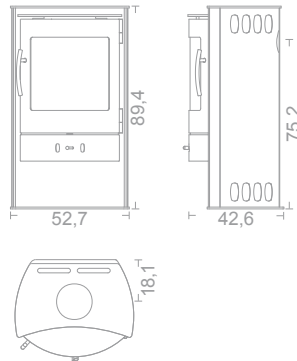
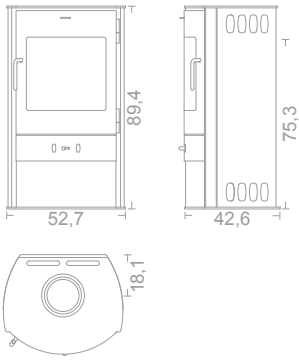
Even though the WIKING Nordic belongs to the class of small wood-burning stoves, it still has a high heating output.

Design: Architect Torben Madsen.

NEW - WIKING Nordic 9G

A longstanding WIKING classic has now been given a facelift. The new WIKING Nordic 9G has an elegant glass front, which goes very well with today's trend and every modern home. The black frame around the glass offers an excellent view of the dancing flames.

WIKING Nordic's light and classic form and the Swan-labelled combustion technology have been retained.



WIKING Nordic 9



WIKING Nordic 7

with soapstone plate
above door



WIKING Nordic 7

with soapstone and plinth



TECHNICAL SPECIFICATIONS

Heating:	40 – 180 m ²
Nominal effect:	7 kW
Capacity:	4 – 10 kW
Efficiency (gross/net):	73/80%
Combustion chamber width:	35,5 cm
Smoke outlet top/back:	Ø 150 mm
Chimney draft, min.:	12 Pa

WEIGHT

WIKING Nordic 9G:	93 kg
WIKING Nordic 7/9:	95 kg
WIKING Nordic 7 w. soapstone above door:	99 kg
WIKING Nordic 7 w. soapstone:	134 kg
WIKING Nordic 7 w. soapstone and plinth:	163 kg

CONNECTION FROM FLOOR, TOP OUTLET

WIKING Nordic 9G:	86,3 cm
WIKING Nordic 9:	85,7 cm
WIKING Nordic 7 w. soapstone above door:	85,7 cm
WIKING Nordic 7 w. soapstone:	85,7 cm
WIKING Nordic 7 w. soapstone and plinth:	91,7 cm

DISTANCE TO COMBUSTIBLE MATERIAL

Behind/side:	15/35 cm
Distance to furnishings in front:	80 cm
At the corner location:	15 cm

APPROVALS

EN 13240 (Europe)
NS 3058/3059 (Norway)
Nordic Ecolabel
Art.15a (Austria)
LRV (Switzerland)

OPTIONS

Smoke outlet: top or back
Colour: black or grey
Soapstone (WIKING Nordic 7)
Soapstone plinth (WIKING Nordic 7)
Soapstone plate above door (WIKING Nordic 7)
Tile plate above door (WIKING Nordic 7)
Soapstone top plate (WIKING Nordic 7)



WOOD: AN ENVIRONMENTALLY NEUTRAL ENERGY SOURCE

When you burn wood in your stove, you release the CO₂ that the wood has collected while growing in the wild. If the wood was not burned, and the tree was instead left to die on the forest floor, the same amount of CO₂ would still be released. In this way, heating with wood at an optimum combustion level is environmentally neutral.

LOW MOISTURE, HIGH HEATING VALUE

The heating value of one cubic meter of air-dried hardwood tree is equal to that of 200 litres of domestic heating oil; however, the moisture of the firewood is crucial to good fuel economy. Freshly-cut wood contains up to 50% moisture and offers only half as much heat as air-dried wood.

The wood's heating value is greatest when the moisture content is at 18%. If moisture content is below 18%, the wood becomes too dry and burns all too quickly.

Get your questions answered
– when it suits you best.

INSPIRATION AND INFORMATION

www.wiking.com is a good place to start when it's time for a new wood-burning stove. Here you can find inspiration in the wide selection of WIKING wood-burning stoves.

Take a look and see the wood-burning stoves in their surroundings to get an idea of which design, size and heat output level best meet your needs.

ENVIRONMENTALLY CORRECT FUELLING

1. Use dry, clean wood.

Use dry wood with a moisture content of approximately 18%, and never burn rubbish.

2. Ensure that there is a sufficient amount of air.

Too little air results in many harmful particles being released through the smoke. Light the fire with kindling wood or fire lighters. The fuel must catch fire properly, so that the temperature quickly rises.

3. Fire a bit at a time and never burn over night.

The smoke that comes out of your chimney must be almost invisible. Consult with your local chimney sweep if you are in doubt as to whether your chimney meets all applicable requirements.

Your WIKING dealer:

Please contact your dealer if you have any further questions. WIKING is constantly developing, which may result in changes to the product specifications found in this brochure. In the event that a misprint or another error should occur, we reserve the right to make the necessary adjustments.

